

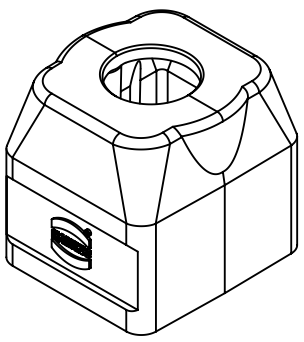
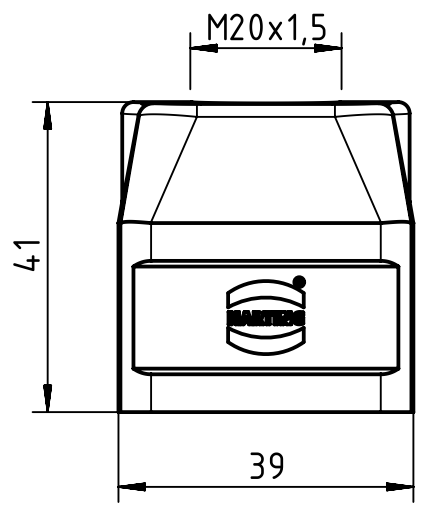
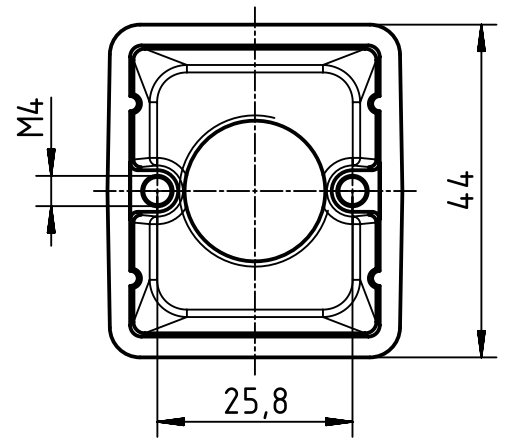
1 2 3 4 5 6

A


B

C

D



max. tightening torque 6Nm for M20x1.5

	All rights reserved Department EL PD - DE	All Dimensions in mm Original Size DIN A4		Scale 1:1	Free size tol.		Ref. Sub. TB 1914-0020400 v. 16.02.09		
		HARTING Electric GmbH & Co. KG D-32339 Espelkamp	Created by ILJIN	Inspected by FERDERERA	Standardisation TIEMANNA	Date 2014-01-31	State Final Release		Doc-Key / ECM-Nr. 100172409/UGD/005/A 500000071168
		Title Han-Modular Twin hood top entry M20					Rev. A		Page 1/1
		Type TB	Number 19 14 002 0400						